



凭借高质量和高速数字喷墨打印在印刷行业中处于领先地位

科杰以中国发展最快的宽幅技术迎接无限设计可能性的世界。

我们科杰在创新、强大的外展和服务基础设施以及完整的以客户为中心的产品方面发展了我们的核心竞争力。我们制造配备最新技术的超高速机器，旨在满足您现在

和未来的需求。科杰产品由一支强大的专家和工程师团队提供支持，团队遍布研发、客户支持、应用、机器设计和销售相关职能。科杰提供的解决方案涉及广泛探索创建具有广泛传统和现代设计的多种织物片。

通过与战略合作伙伴的合作，科杰将继续向全球市场提供无与伦比的功能和创新产品。科杰是凌风的旗舰品牌。

凌峰是一家在中国注册的公司，其运营、制造设施和销售办事处位于中国上海。自2013年

以来，凌峰一直是领先品牌数字打印

机工业设备制造的顶级市场领导者。

以来，凌峰一直是领先品牌数字打印

机工业设备制造的顶级市场领导者。

以来，凌峰一直是领先品牌数字打印

机工业设备制造的顶级市场领导者。

以来，凌峰一直是领先品牌数字打印

机工业设备制造的顶级市场领导者。

以来，凌峰一直是领先品牌数字打印

机工业设备制造的顶级市场领导者。

以来，凌峰一直是领先品牌数字打印

机工业设备制造的顶级市场领导者。

以来，凌峰一直是领先品牌数字打印

机工业设备制造的顶级市场领导者。

以来，凌峰一直是领先品牌数字打印

机工业设备制造的顶级市场领导者。

以来，凌峰一直是领先品牌数字打印

机工业设备制造的顶级市场领导者。

以来，凌峰一直是领先品牌数字打印

机工业设备制造的顶级市场领导者。

以来，凌峰一直是领先品牌数字打印

机工业设备制造的顶级市场领导者。

以来，凌峰一直是领先品牌数字打印

机工业设备制造的顶级市场领导者。

以来，凌峰一直是领先品牌数字打印

机工业设备制造的顶级市场领导者。

以来，凌峰一直是领先品牌数字打印

机工业设备制造的顶级市场领导者。

以来，凌峰一直是领先品牌数字打印

机工业设备制造的顶级市场领导者。

以来，凌峰一直是领先品牌数字打印

机工业设备制造的顶级市场领导者。

以来，凌峰一直是领先品牌数字打印

机工业设备制造的顶级市场领导者。

以来，凌峰一直是领先品牌数字打印

机工业设备制造的顶级市场领导者。

以来，凌峰一直是领先品牌数字打印

机工业设备制造的顶级市场领导者。

以来，凌峰一直是领先品牌数字打印

机工业设备制造的顶级市场领导者。

Innovation to meet today's challenges and tomorrow's requirements

## SPECIFICATIONS

K8-512i			
Technical Key Specification			
Print Heads		Japanese Konica Minolta - 4 Print Head - 512i	
Media Specification			
Media	Width	3300 mm (129 in)	
	Thickness	Maximum 3.0 mm (120 mil) with Liner (flexible)	
	Roll Outer Diameter	Maximum 300 mm (12 in), 50.8 (2 in)	
	Roll Weight	Maximum 95 kg	
	Core Diameter	76.2 mm (3 in)	
Media Types		Vinyl, Flex, PVC Banner, Polyester Fabric, Backlite Film, Fabric (Solvent Base)	
Media Heating System		Pre-heater and post-heater, setting range for the preset temperature: 30 to 60°C, Dryer setting range for the preset temperature: 30 to 60°C	
Print Specifications			
Printing Width		Maximum 3200mm (126 inch.)	
Connectivity		High Speed USB	
Printing Resolution (dots per inch)		Maximum up to 1440 dpi	
Ink Specifications			
Ink Types		Solvent Ink	
Ink Colors		CYAN, MAGENTA, YELLOW, BLACK (CMYK) (4 Color)	
Power Consumption & Working Environment			
Power Requirements		AC 220 V ±10%, 20 Amps, 50/60 Hz	
Power ON		Temperature: 18 to 28°C Humidity: 20 to 80%RH (non-condensing)	
Power OFF		Temperature: 5 to 40°C Humidity: 20 to 80%RH (non-condensing)	
Machine Meaurments			
Printer Dimensions		4520mm x 880mm x 1495mm (LXWXH)	
Weight (approx. with stand)		750 Kgs	
Performance			
Print Mode	Print Resolution	Passes	Speed
Mode 1	360 x 360	2P	1200 SQFT/HR
Mode 2	360 x 540	3P	809 SQFT/HR
Mode 3	360 x 720	4P	646 SQFT/HR
Mode 4	720 x 720	4P	339 SQFT/HR

### KEJIE DIGITAL

CHINA:  
Shanghai Lingfeng Digital Equipment CO. LTD.,  
B5, Industrial Park, 206 Peikun Road, Minhang Dist.,  
Shanghai, China -201111 | (+86) 21-34902852

### INDIA REPRESENTATIVE

+91-9667541927 | info@kejiedigital.com  
www.kejiedigital.com



TAKE YOUR SIGNAGE BUSINESS TO THE FUTURE with

K8

3.2 MTR ROLL-TO-ROLL PRINTER



购物探险的一站式品牌。在一个屋顶下探索范围最广的系列。

购物探险的一站式品牌。在一个屋顶下探索范围最广的系列。



## HIGH-PRODUCTIVITY MACHINE FOR HIGH-QUALITY RESULTS

Fusion of splendid features, Kejie's brand-spanking-new K8-512i is the sole solution for all the indoor and outdoor signage industry needs. The excellent printing solution is built to produce unmatched print quality at 1109 sqft/hr blazing-fast speed. The machine is infused with cutting-edge industrial print heads to deliver long-lasting performance and 3.2 mtr roll capability to accommodate every media size. Kejie K8-512i is the high-productivity cost-effective printing solution that can produce precise and amazing prints consistently.

**ZERO MAINTENANCE FACILITY & LONG LIFE OF 10 YEARS OF KEJIE PRINTERS IS POSSIBLE DUE TO INCORPORATION OF FOLLOWING MAIN IMPROVEMENTS IN TECHNOLOGY**

### PATENTED TECHNOLOGY



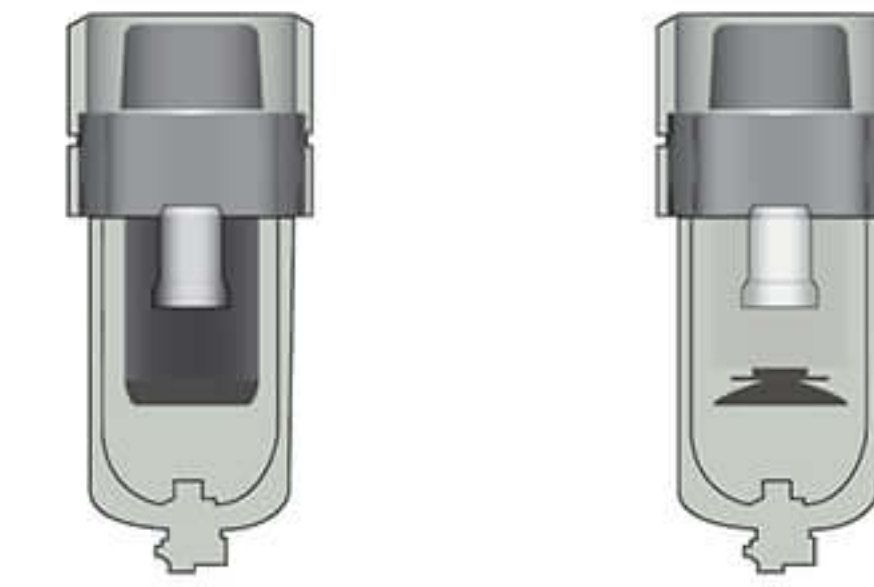
### FEATURES

- COLORS: CMYK
- EFFICIENT DRYING SYSTEM WITH IR HEATER AND FANS
- DIGITAL PID TEMPERATURE CONTROL SYSTEM
- AUTO HEAD VOLTAGE CONTROL THROUGH SOFTWARE
- MULTI ROLLER AUTO MEDIA FEEDING SYSTEM
- AUTO PRESSURE PURGE OF INDIVIDUAL COLOR
- CRYSTAL CLEAR PRINTING WITH VIBRANT COLOURS
- HIGH-SPEED USB INTERFACE
- TUBULAR HEATER - POWER EFFICIENCY
- INDIVIDUAL HEAD CLEANING
- VACUUM BED TO HOLD THE MEDIA
- INTEGRATED DUAL-HEATER SYSTEM
- LED SCREEN MOUNTING BRACKET
- IR HEATER
- RESOLUTION : TRUE 720DPI

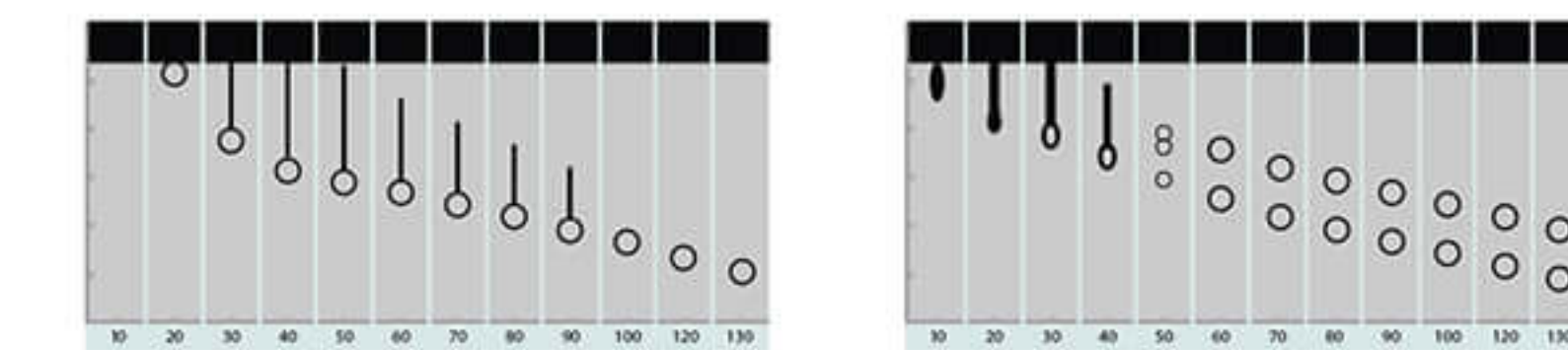


### KEY POINTS

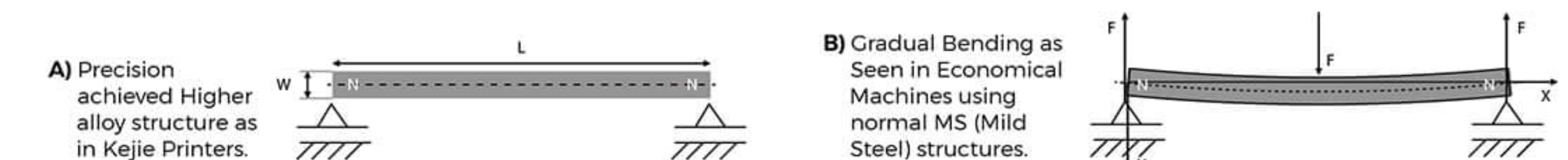
- Kejie provides backup support **upto long life of 10 years** to ensure risk-free long-term returns
- Particle Filtration Technology** use Japanese regulators in the ink supply system for the best effective prevention of entry of dust to reduce head chances of blockage.



- Static Degenerate Technology** in Solvent-Based printers to provide a long-lasting leading quality upon the technical grounds.



- Our ultra-modern software control delivers magnificent print quality and ensures **upto 30% Ink Saving**
- Our Ink Reservoirs have **Tumble Ink Tank Technology** to ensure ink consistency for stable print quality and save heads for a long time
- We adopted **Super Rail Technology** in our design to ensure **long-term mechanical stability**:
  - German automation of a leading solution provider to Insulate Vibration
  - The best referred higher alloys to frame up precision parts



- iii) Preferred the best Japanese Linear motion technology

### COMPONENTS DETAILS

Control System -	BYHX,China	Heater controller -	Delta
Machine Chassis -	High Precision Alloy	Linear Guide -	THK Japan
Machine Outer covers -	Steel	LVDS cable -	Igus, Germany
Servomotor -	Delta, USA/Leadshine	Cableschain -	Igus, Germany